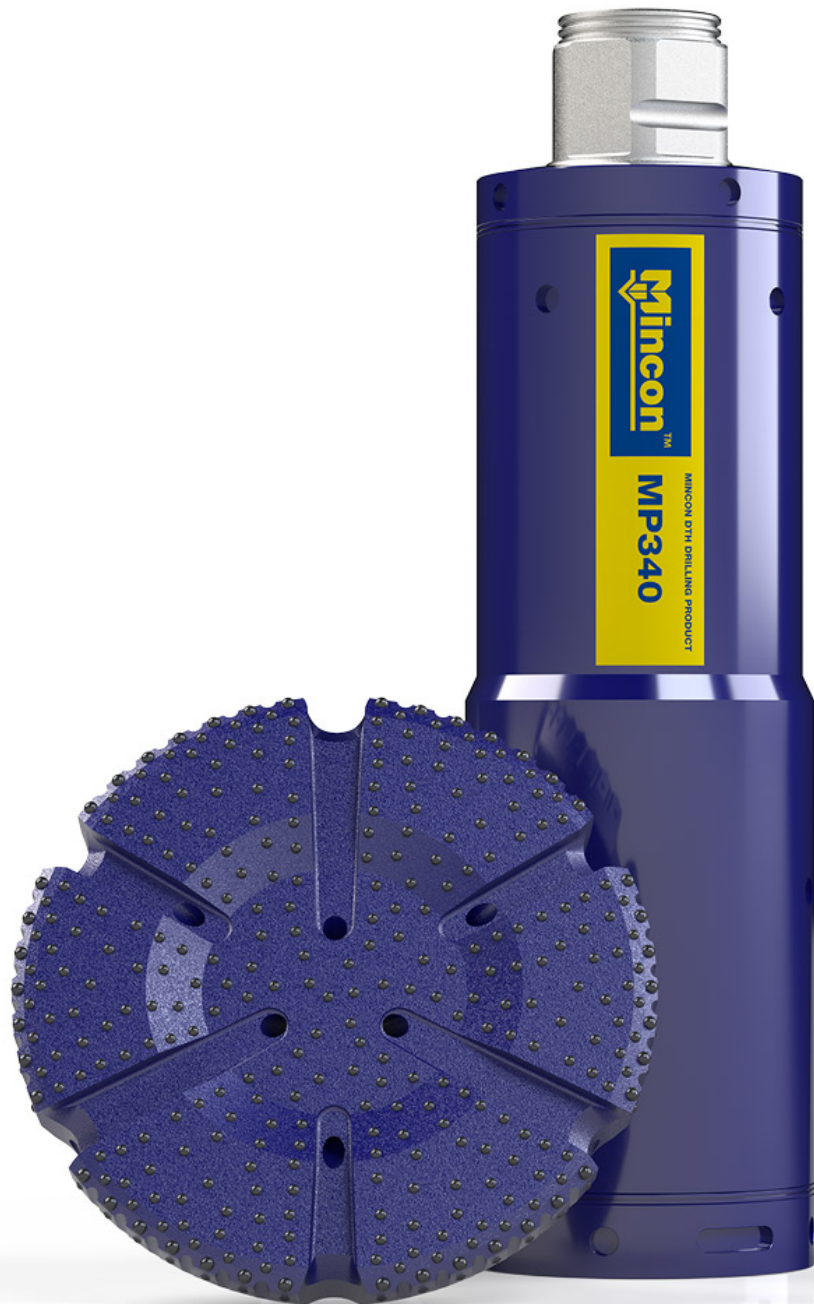
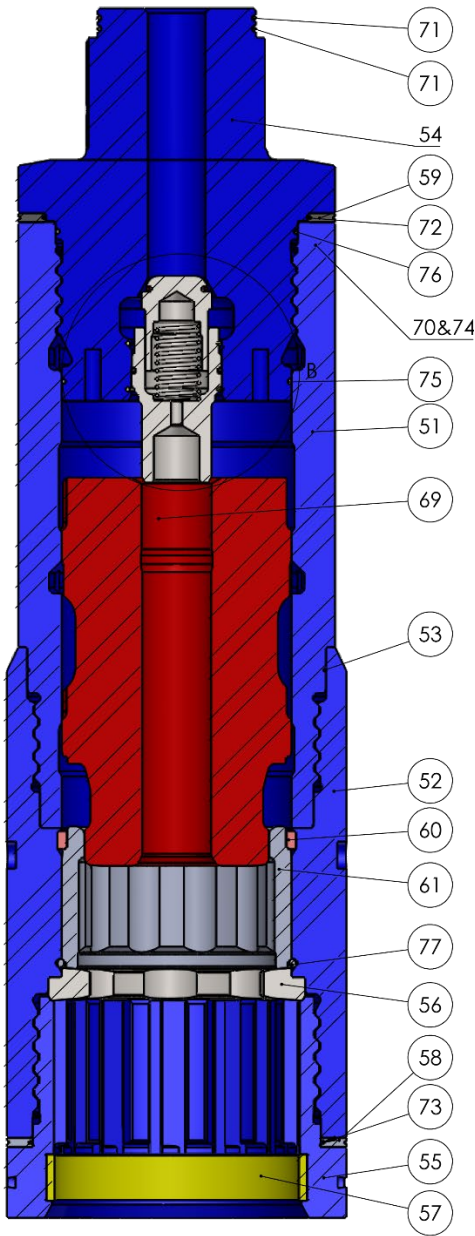


MP340

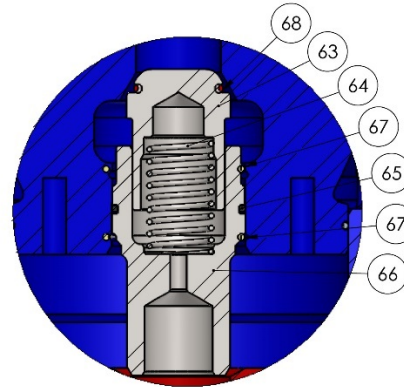


Parts and Specifications

Mincon MP340 DTH Hammer



Item #	Part Number	Description
	MD3401AS01	Mincon MP340 (Hex 370mm Pin)
51	MP340-ITEM2.1-B	Hammer Casing Top
52	MP340-ITEM2.2-B	Hammer Casing Bottom
53	MP340-ITEM2.3-A	Frame Seal OR5,7X650,9
54	MP340-ITEM3-A	Back Head (Hex 370mm Pin)
55	MP340-ITEM8-A	Chuck
56	MP340-ITEM11-A	Bit Retaining Ring
57	MP340-ITEM12-A	Chuck Bush
58	MP340-ITEM13-A	Break Out Washer D750
59	MP340-ITEM14-A	Break Out Washer D700
60	MP340-ITEM16-A	Aligner Retaining Ring
61	MP340-ITEM17-A	Aligner
62		Check Valve Distributor Assembly
63	MP340-ITEM18-A	Check Valve
64	MP340-ITEM19-A	Check Valve Spring
65	MP340-ITEM29-A	Distributor Seal OR10X180
66	MP340-ITEM20-A	Distributor
67	MP340-ITEM21-A	Distributor Retainer X 2
68	MP340-ITEM30-A	Check Valve Seal ORHPU118,6X12,7
69	MP340-ITEM24-B	Piston
70	MP340-ITEM26-A	Plug
71	MP340-ITEM5-A	Hex 370mm Seal OR10X331
72	MP340-ITEM28-A	Break Out Washer Seal D700 ORNAUHA5
73	MP340-ITEM15-A	Break Out Washer Seal D750 ORNAUHA5
74	MP340-ITEM25-A	Plug Seal OR2,62X39,43
75	MP340-ITEM6-A	Backhead Bottom Seal OR10X480
76	MP340-ITEM7-A	Backhead Middle Seal OR10X510
77	MP340-ITEM27-A	Aligner Seal ORNAUHA19



Specifications

Hammer Outside Diameter	750mm (20.7")
Hammer Length (Less Bit, Backhead Shoulder to Chuck)	2,351mm (75.8")
Drill Bit Shank Type	MF34
Minimum Bit Size Overburden	914.4mm (36")
Minimum Bit Size Rock	850mm (33.5")
Maximum Bit Size Overburden	1,524mm (60")
Maximum Bit Size Rock	1,220mm (48")
Hammer Weight (Less Bit)	5,807kg (12,802 lbs)
Piston Weight	1,050kg (2,315 lbs)
Make up Torque	24,400-32,540Nm (18,000 – 24,000 lbf.ft)
Stroke	150mm (6")
Beats Per Minute	580 @ 150psi (6.8 Bar)
Recommended Minimum Air Package	2,360 l/s @ 13.8 bar (5,000 cfm @ 200 psi)